

POWERFLEX®

PART NUMBER
PFR3-902

DESCRIPTION
FRONT WISHBONE REAR BUSH

INSTALLATION GUIDE

This part replaces OEM part number 5Q0407183F; 850407183B

Please read the complete fitting instructions and check package components before fitment. These fitting instructions are to be used as a guide and in conjunction with workshop manual.

It is recommended that:

- all work to be carried out by a licensed technician;
- all safety precautions adhered to;
- wheel alignment to be checked and adjusted as required after any suspension work.
- All fasteners must be tensioned to manufacturer's torque settings.

Fitting Instructions:

1. Remove the original rubber bush from the front wishbone.
2. Clean any dirt or corrosion from the bore of the arm, and file off any sharp edges.
3. Push the new bush unit into the arm so that the upper face sits on the top surface of the arm.



WARNING: Do not press on the centre sleeve/ball of the unit, press on the outer shell only otherwise you may damage the bush.

4. Adjust the bush to locate the offset sleeve bore towards the inside of the arm as shown in figure 2.

TIP: For maximum performance, adjust the centre ball for maximum caster, so that the offset sleeve is nearer to the inside of the car.

5. Refit the arm to the car, and tension all hardware to manufacturers recommended torque settings.

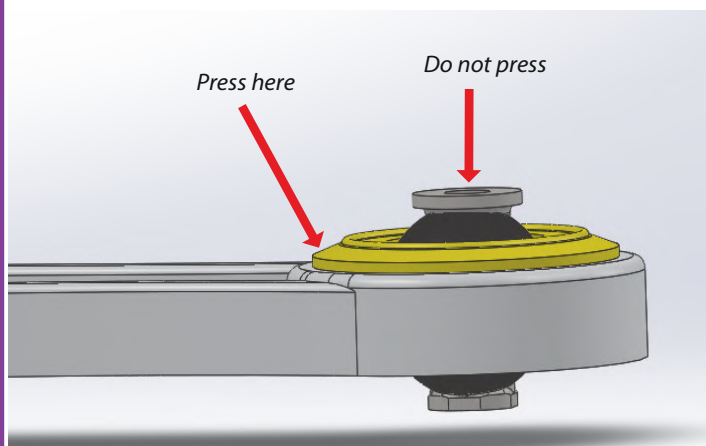


Figure 1 - showing the larger diameter on the upper face of the arm

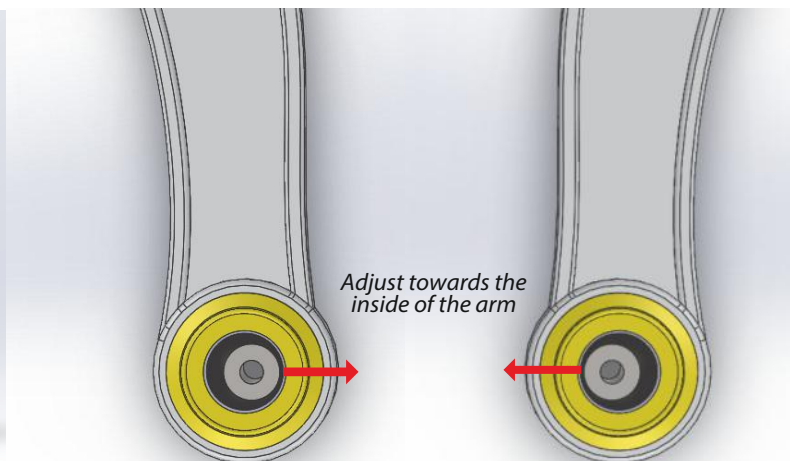


Figure 2 - the offset sleeve is nearer to the middle of the car